

# NetWay4EPL

## 4-port Hardened PoE Switch with Integral Power on a Backplane

Altronix NetWay4EPL PoE+ Switch provides a 1Gb SFP port and four (4) PoE+ (30W) ports. Cameras/edge devices may be located up to 100m from the unit. Embedded LINQ Technology allows you to monitor, control, and report power and diagnostics from anywhere.



NetWay4EPL

### Key Features

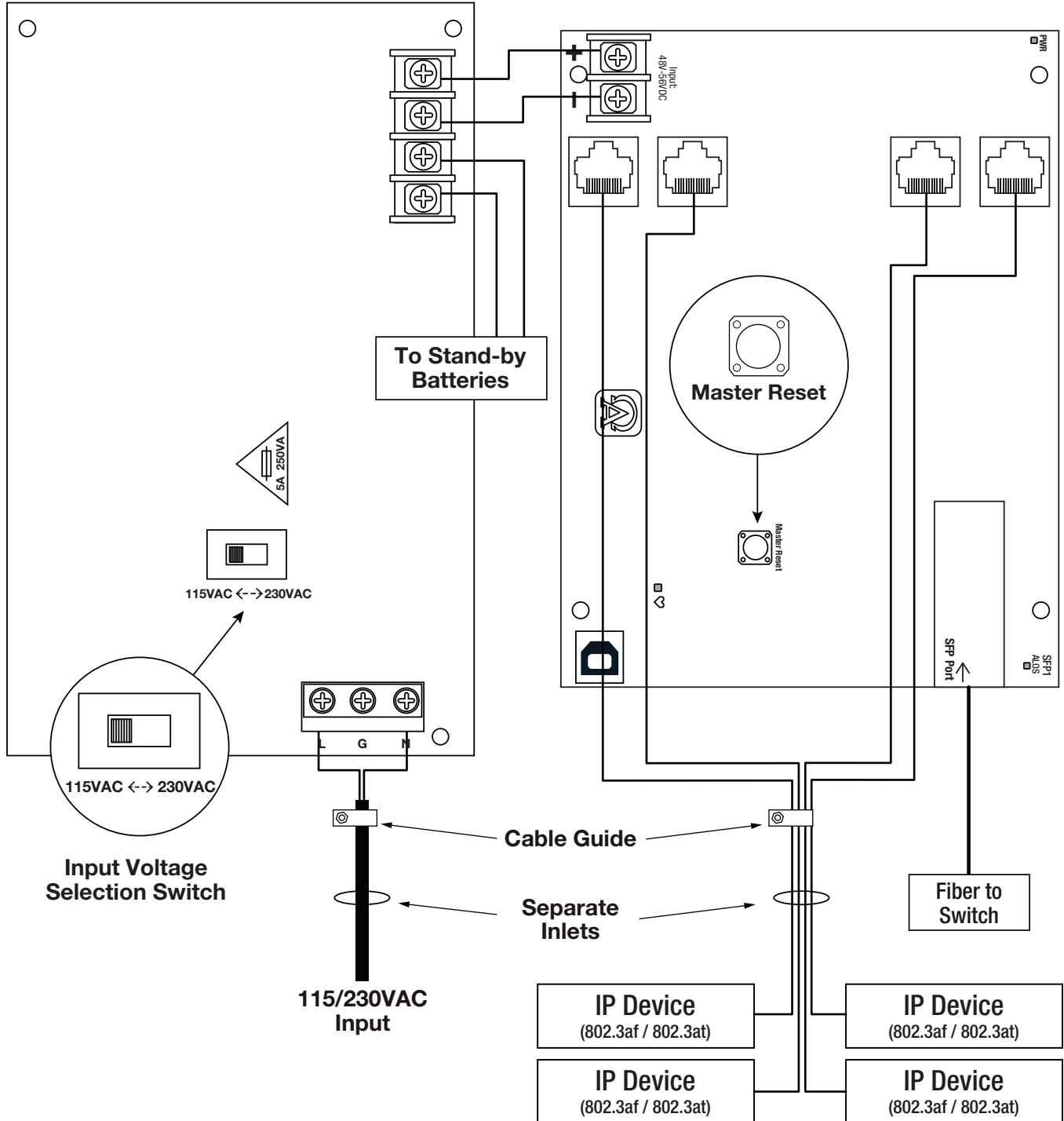
- Four (4) 10/100/1000 Mbps PoE/PoE+ (up to 30W) ports or
- IEEE 802.3af (15W) and IEEE 802.3at (30W) compliant
- One (1) Gigabit (Fiber) SFP port
- PoE activity LED indicators
- Built-in charger for sealed lead acid or gel type batteries
- Automatic switch over to stand-by battery when AC fails
- CE European Conformity
- Lifetime Warranty

### Similar products

<b>NetWay4EWPX</b>	Outdoor 4-port PoE+ Hardened Switch in NEMA 4/4X, IP66-11 enclosure which accommodates stand-by batteries
<b>NetWay4EWP</b>	Outdoor 4-port PoE+ Hardened Switch in NEMA 4/4X, IP66-11 enclosure
<b>NetWay4EWPN</b>	Outdoor 4-port PoE+ Hardened Switch only in NEMA 4/4X, IP66-11 enclosure
<b>NetWay4EX</b>	Indoor 4-port PoE+ Hardened Switch in NEMA 1 Rated indoor enclosure
<b>NetWay4EB</b>	4-port PoE+ Hardened Switch (board only)

### Lifetime Warranty

## Typical Application



### Lifetime Warranty

Altronix Corporation | 140 58th St | Brooklyn, NY 11220 USA

phone: +1 718.567.8181 | fax: +1 718.567.9056 | email: info@altronix.com | www.altronix.com

## NetWay4EPL

4-port Hardened PoE Switch with Integral Power on a Backplane



### Specifications

#### Input

Voltage 115VAC, 60Hz, 2.5A or  
230VAC, 50/60Hz, 1.3A

#### Power Output

Maximum Power Four (4) 10/100/1000 Mbps  
PoE/PoE+ (up to 30W) ports  
IEEE 802.3at (30W) and  
IEEE 802.3af (15W) compliant  
120W total power  
Integral surge protection

Fiber Port: One (1) Gigabit SFP (Fiber) port

#### Battery Charging

Type Sealed lead acid or gel type  
Failover Upon AC loss, instantaneous  
Batteries are sold separately

#### Indicators (LED)

Individual PoE On LEDs for each port  
Individual IP Link status, 10/100Base-T/active LEDs for  
each port  
ALOS LED indicates fiber connection for SFP port  
Heartbeat LED indicates proper operation of the unit

#### LINQ Technology:

Remote network management allows for camera/device reset  
and monitoring  
Provides local and/or remote access to critical information via  
LAN/WAN  
Email and Windows Dashboard Alert notifications report  
real-time diagnostics  
Event log tracks history

#### Agency Listings

CE European Conformity

#### Physical and Environmental

##### Dimensions (H x W x D)

Backplane: 10.75" x 8.875" x 2.375"

(273.1mm x 225.4mm x 60.3mm)

Shipping: 12" x 10" x 8" (304.8mm x 254mm x 203.2mm)

##### Weight (approx.)

Product: 2.6 lb. (1.18 kg)

Shipping: 4.0 lb. (1.81 kg)

##### Temperature

Operating: - 40°C to 75°C (- 40°F to 167°F)

Storage: - 40°C to 85°C (- 40°F to 185°F)

Relative Humidity 85% +/- 5%

BTU/Hr (approx.) 61 BTU/Hr.

Operating Altitude: - 304.8 to 2,000m

### Accessories (order separately)



#### SFP Modules - Hot Pluggable Transceivers

P1MM Multi-Mode SFP Module for distances up to 550m

P1SM10 Single-Mode SFP Module for distances up to 10km

P1AB2K Single Strand SFP Module for distances up to 2km

P1GCE Copper SFP Module for distances up to 100m



#### NetWaySP1A

Ethernet over Fiber Media Converter/Repeater for Applications Requiring an Additional  
SFP (Fiber) Port

NetWaySP1A PoE powered media converter/repeater converts 10/100/1000 Mbps to  
Fiber (1000Base-X/SX/LX).

#### Lifetime Warranty